

Pattern Perfect Installation for Duel Wheel

Step 1: Gently tip your sewing machine onto its side.
Step 2: Put the bracket into place as shown. (Fig. 1)
Step 3: Insert the screws through the holes on the Pattern Perfect Bracket and screw into the bottom of the wheel blocks on your sewing machine.

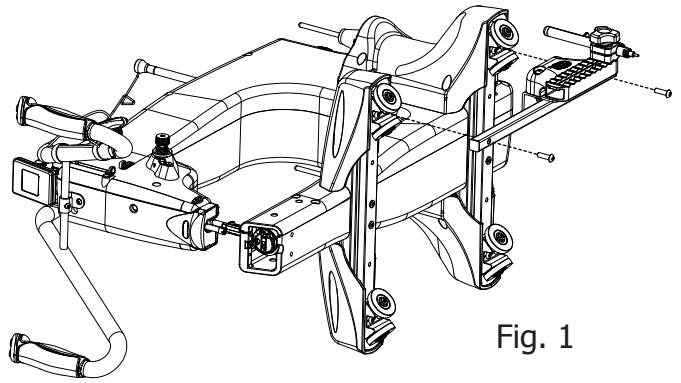


Fig. 1

Pattern Perfect Installation for Vertical Wheel

Step 1: Unfasten the vertical wheel brackets.
Step 2: Put the brackets into place as shown. (Fig. 2)
Step 3: Insert the screws through the holes on the vertical wheel brackets.
Step 4: Gently tip your sewing machine onto its side.
Step 5: Put the bracket into place as shown. (Fig. 3)
Step 6: Insert the screws through the holes on the Pattern Perfect Bracket and screw into the bottom of the wheel blocks on your sewing machine.

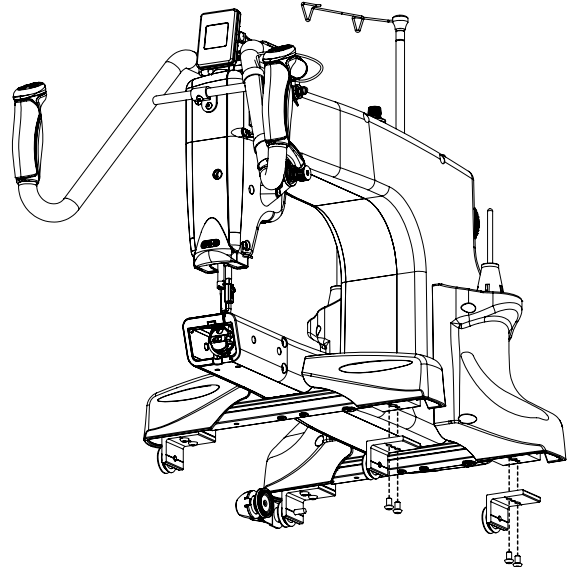


Fig. 2

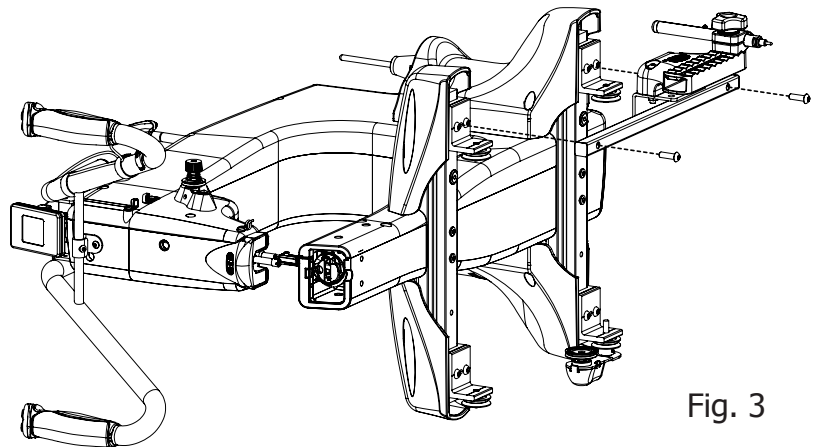


Fig. 3